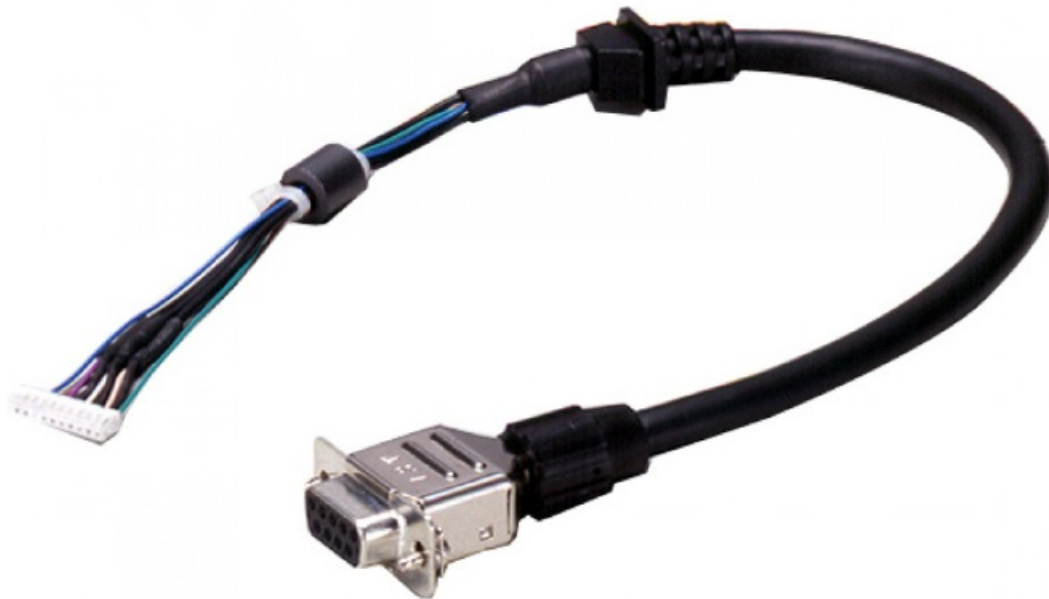


iCOM OPC-617 External Terminal Connection Cable Instructions

[Home](#) » [ICOM](#) » iCOM OPC-617 External Terminal Connection Cable Instructions



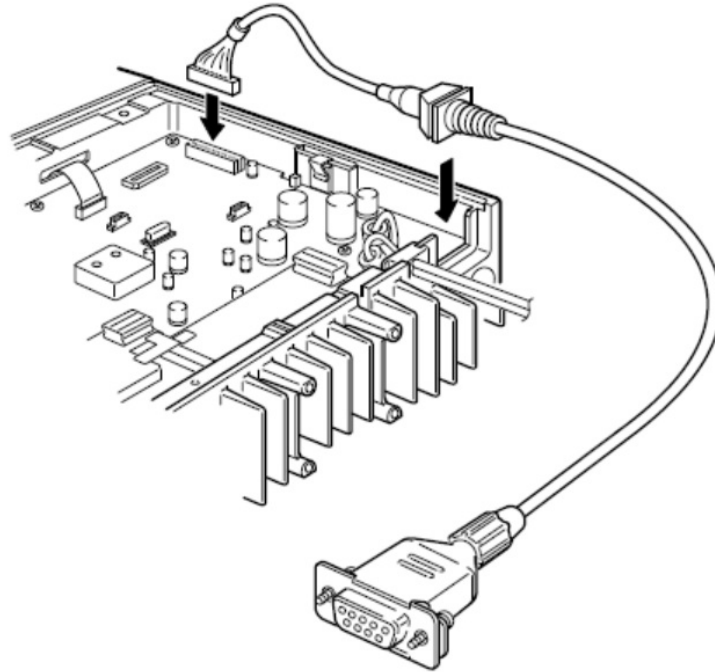
OPC-617 External Terminal Connection Cable Instructions



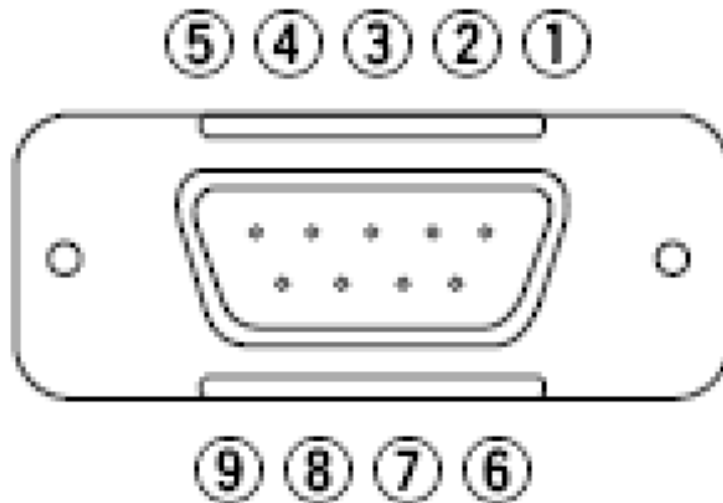
Contents [[hide](#)]

- [1 OPC-617 External Terminal Connection Cable](#)
- [2 Programming](#)
- [3 Documents / Resources](#)
- [4 Related Posts](#)

Install the OPC-617 as shown below.



OPTIONAL CABLE PIN ASSIGNMENT

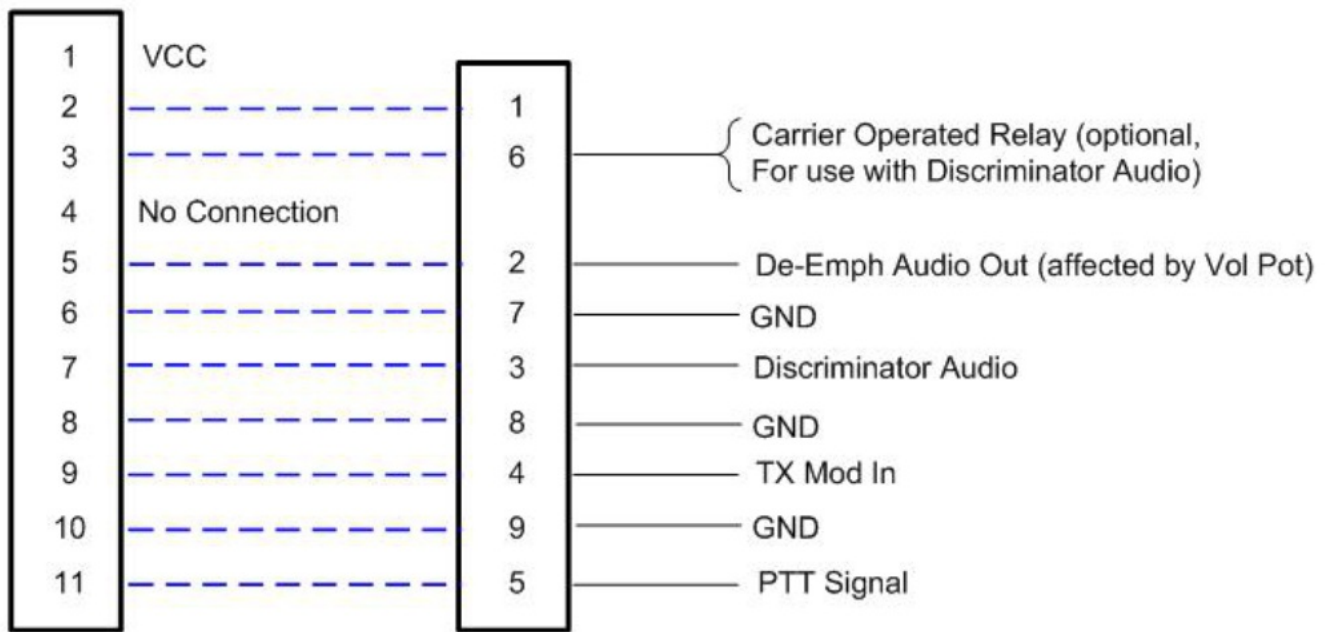


- LCD backlit cont. IN
- AF OUT
- Det. AF OUT
- Mod. IN
- PTT control IN
- Horn drive cont. OUT
- AF GND
- Det. AF GND
- Mod. GND

11 pin Connector

DB-9 Connector

Remote Adapter



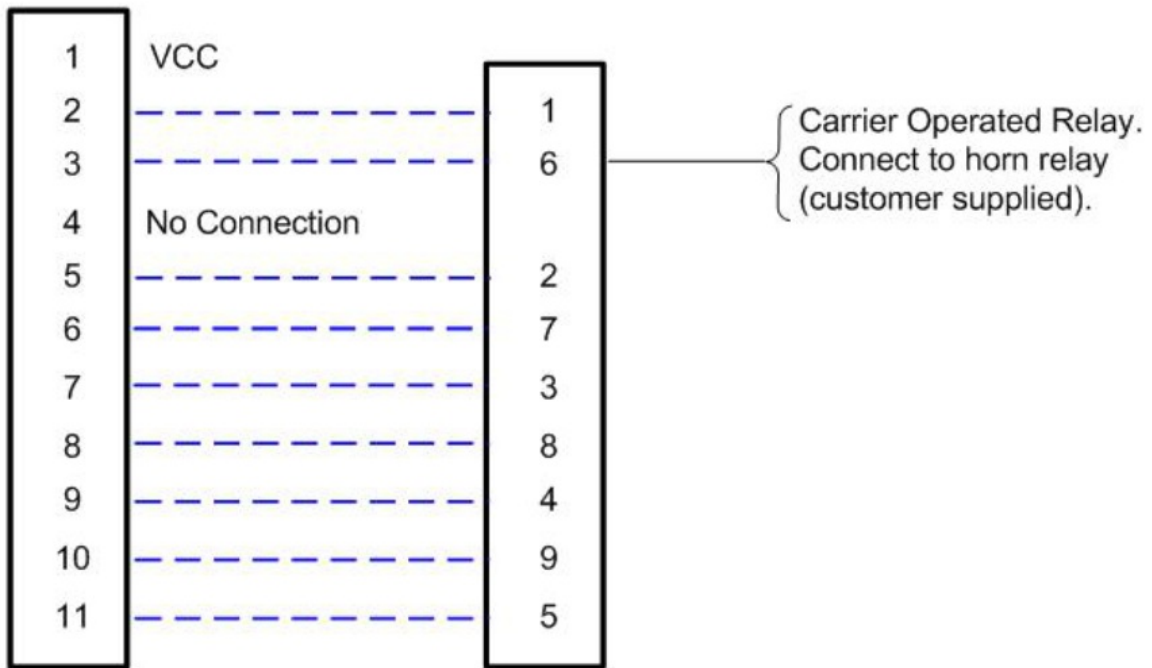
Additional Notes

DB-9 Connector Pins	Notes
Pin 2	To find a suitable AF level, turn the Vol Knob OFF Change the AF Min level (in Set Mode) until a suitable level is found.
Pin 4	Solder Bead F for data. Solder Bead D for AF in.
Pin 5	To enable an external PTT: In Common -> Expert, set EPTT/FTSW to EPTT. If you require a delay after releasing PTT, set a value in the EPTT Delay Timer.
Pin 6	To set Pin 6 as a Carrier Operated Relay: Disable the 2/5-tone function for the selected channel. In Common -> Expert, set RX EXO to ON and the Delay Timer to OFF. This enables COR to react instantly to the signal when it switches on and off.

**F121/F221, F121S/F221S OPC-617 Horn Honk Connections
For 2-Tone and 5-Tone Signaling**

11 pin Connector

DB-9 Connector



Programming

For both 2-Tone and 5-Tone:

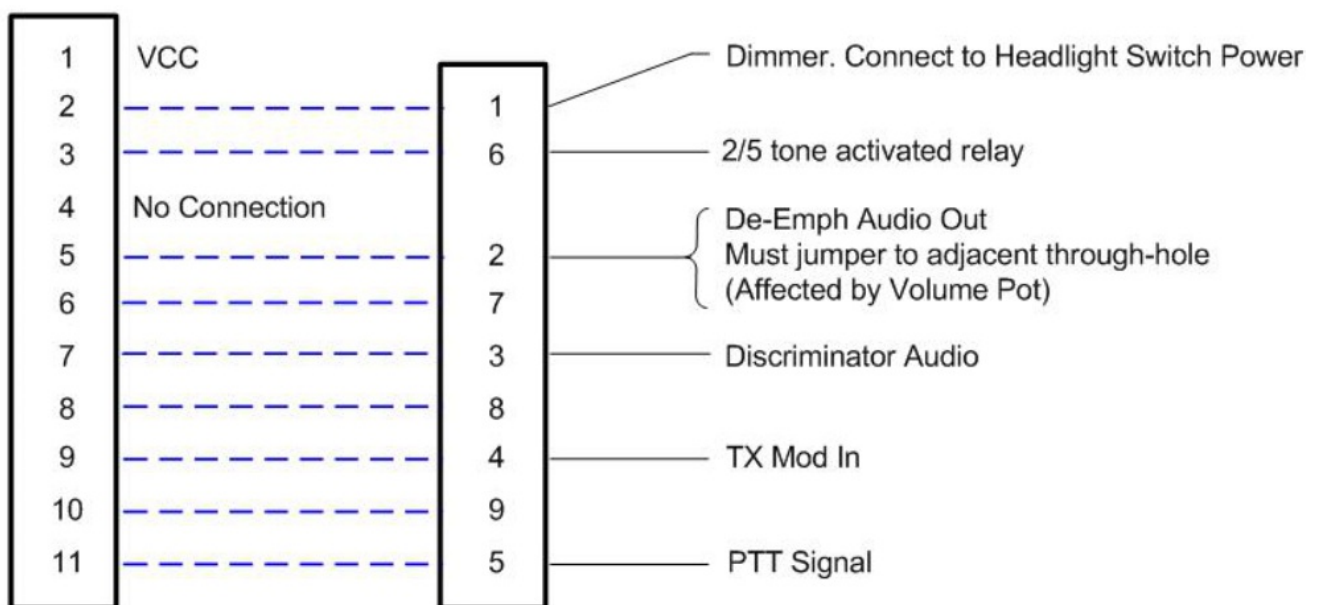
1. Navigate to RX Code CH and set the EXO to ON.
2. Navigate to Common -> Expert and set RX EXO to OFF.

OPC-617 Remote Connections for 2-Tone/5-Tone For the F521/F621 Radio

11 pin Connector

DB-9 Connector

Remote Adapter

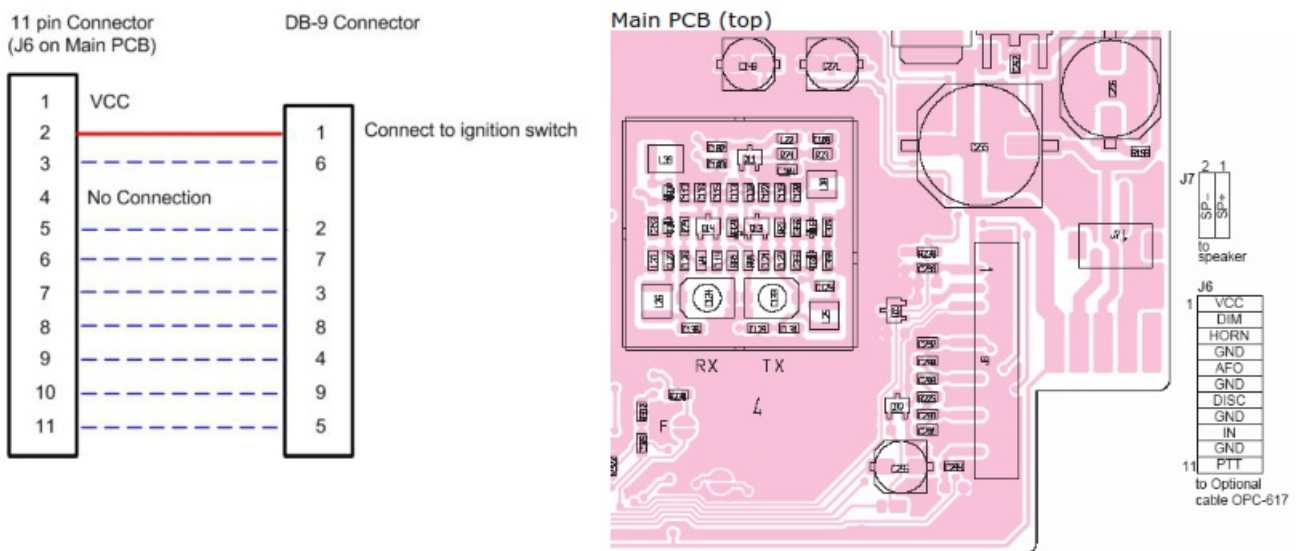


Additional Notes

DB-9 Connector Pins	Notes
Pin 2	Program radio as in Pin 6 COR programming. 1. To find a suitable AF level, turn the Volume Knob off. 2. Change the AF Min Level (in Set Mode) until a suitable level is found.
Pin 4	Solder Bead F for data. Solder Bead D for AF in.
Pin 6	To set Pin 6 as a 2/5 tone operated relay: 1. Set the 2-Tone or 5-tone RX Code Ch EXO to ON. 2. Set Mode -> Horn to ON. 3. Common -> EXO setting doesn't matter. 4. The Common -> EXO Delay Timer sets how long Pin 6 stays low after signal.

OPC-617 Ignition Connections for F121/F221 Series Radios

To enable the radio to turn on when the ignition switch is turned on, connect the OPC-617 11 pin connector to J6 on the main PCB. Then connect DB-9 pin 1 to the ignition switch. Be sure to connect DB-9 pin 1 to a switched-on high contact on the ignition switch.



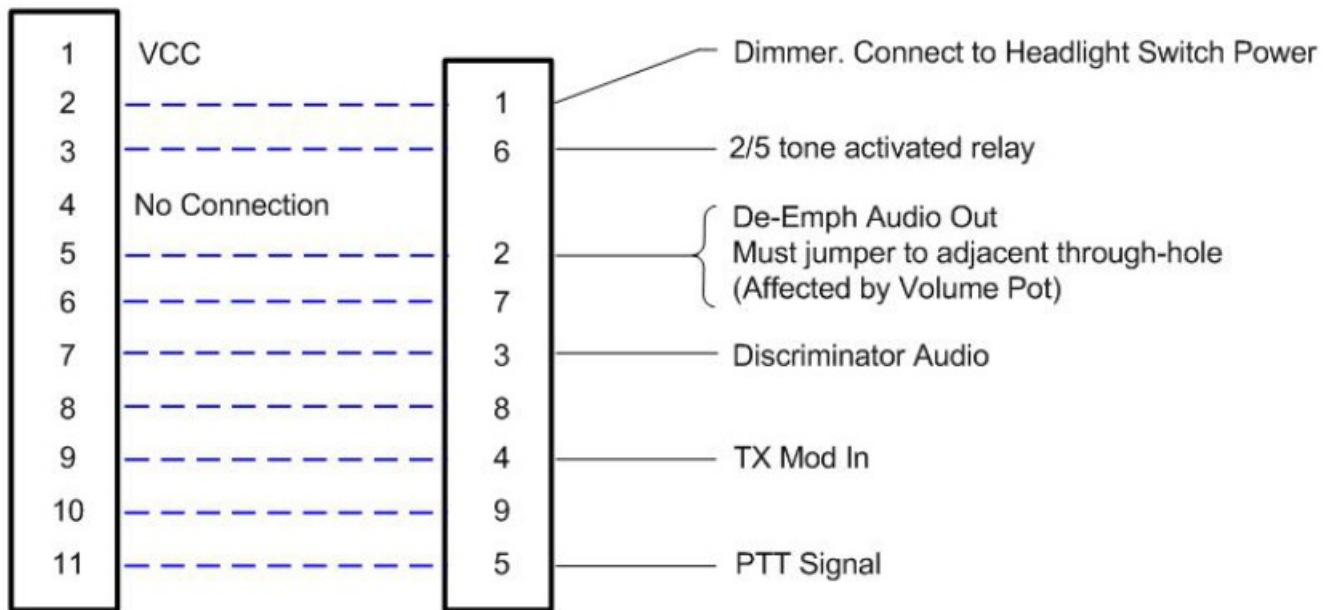
After making connections, enable in the EXPERT window by setting the DIM / IGSW field to IGSW.

OPC-617 Remote Connections for 2-Tone/5-Tone For the F521/F621 Radio

11 pin Connector

DB-9 Connector

Remote Adapter



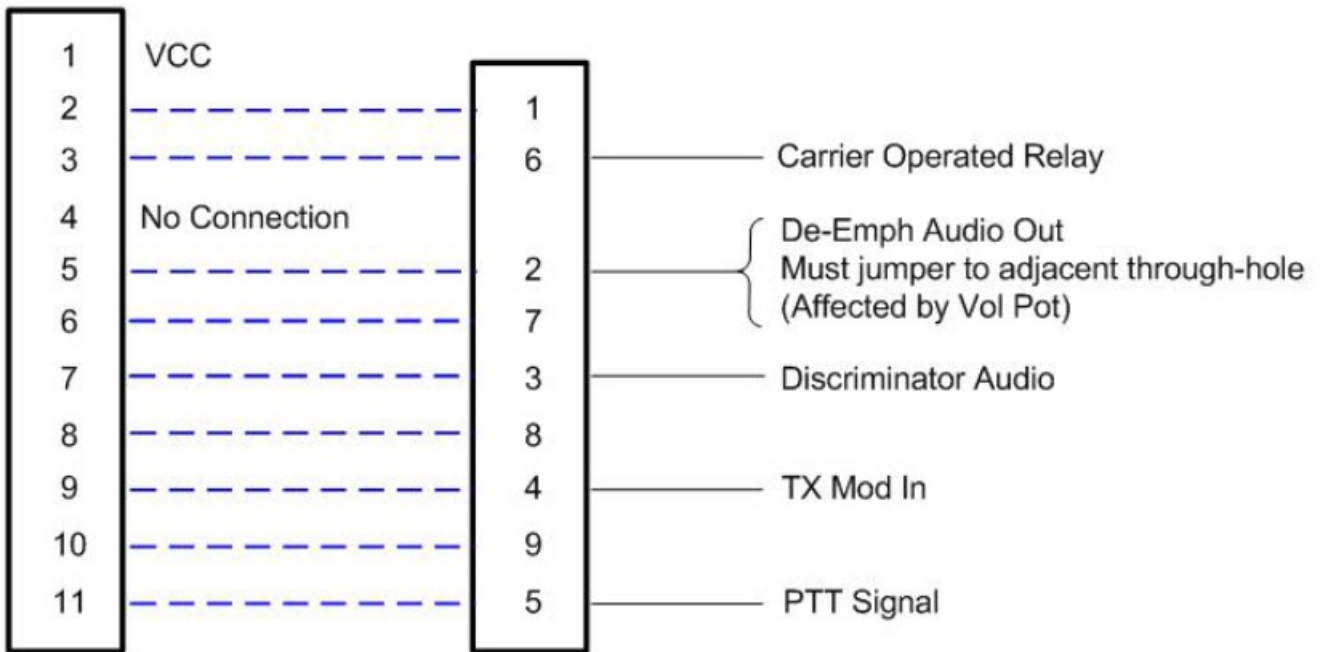
Additional Notes

DB-9 Connector Pins	Notes
Pin 2	Program radio as in Pin 6 COR programming. 1. To find a suitable AF level, turn the Volume Knob off. 2. Change the AF Min Level (in Set Mode) until a suitable level is found.
Pin 4	Solder Bead F for data. Solder Bead D for AF in.
Pin 6	To set Pin 6 as a 2/5 tone operated relay: 1. Set the 2-Tone or 5-tone RX Code Ch EXO to ON. 2. Set Mode -> Horn to ON. 3. Common -> EXO set to OFF. 4. The Common -> EXO Delay Timer sets how long Pin 6 stays low after signal.

11 pin Connector

DB-9 Connector

Remote Adapter



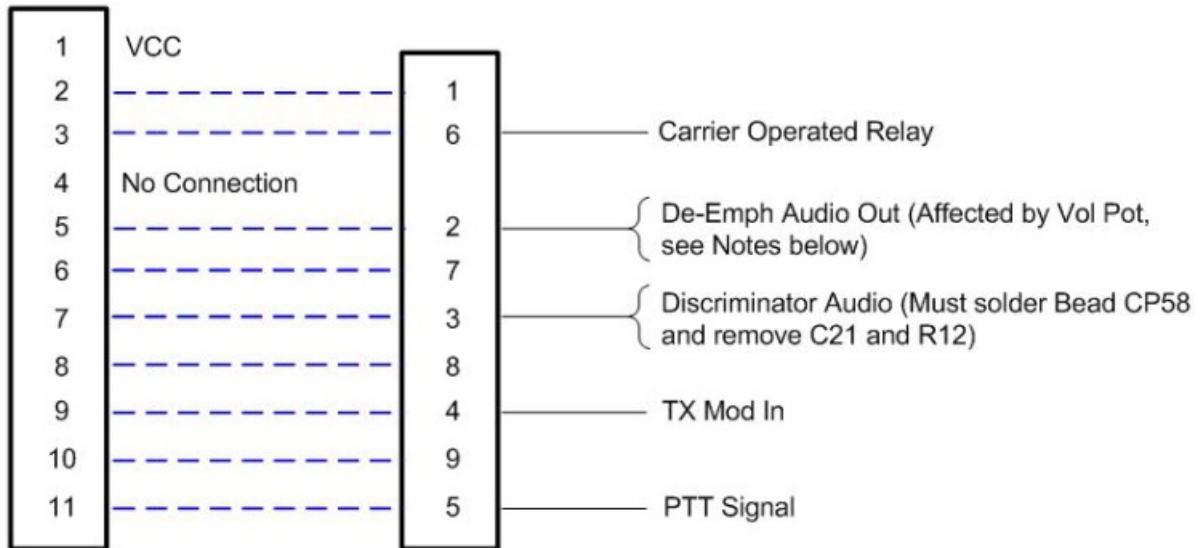
Additional Notes

DB-9 Connect or Pins	Notes
Pin 2	<ol style="list-style-type: none"> 1. Program radio as in Pin 6 COR programming (below). 2. Assign 1 key as RX Speaker and turn on. 3. To find a suitable AF level, turn the Volume Knob off. 4. Change the AF Min Level (in Set Mode) until a suitable level is found.
Pin 4	<p>Solder Bead F for data. Solder Bead D for AF in.</p>
Pin 6	<p>To set Pin 6 as a Carrier Operated Relay:</p> <ol style="list-style-type: none"> 1. Set the 2-Tone RX Code Ch EXO to ON or OFF. 2. Set Mode -> Horn to ON. 3. Common -> To EXO to ON. 4. Common -> EXO Delay Timer sets how long Pin 6 stays low after signal. 5. Disable 2-Tone in the Memory CH.

Remote OPC-617 Connections for the F1721/F1821 Radio

11 pin Connector

DB-9 Connector



Additional Notes

DB-9 Connector Pins	Notes
Pin 2	<ul style="list-style-type: none"> • Program radio as in Pin 6 COR programming. • Assign a key as RX Speaker in programming. Key must be activated for COR. • In Key & Display, set the Amp to OFF. • To find a suitable AF level, turn the Volume Knob OFF and change the AF Min Level (in Set Mode) until a suitable level is found.
Pin 4	<ul style="list-style-type: none"> • Solder Bead F for tones and data (generally, a data line or frequencies greater than 300Hz). • Solder Bead Sig for signals of 300Hz or less (sub-audible tones or low speed data and low-level voice).
Pin 6	<p>To set Pin 6 as a 2-Tone or 5-Tone relay:</p> <ol style="list-style-type: none"> 1. Set 2Tone/5Tone -> RX Code -> EXO to ON. 2. Set the Set mode -> Horn to ON. 3. Set Common -> EXO to OFF. 4. Set Common -> EXO Delay Timer to the desired delay time. <p>To set Pin 6 as a Carrier Operated Relay:</p> <ol style="list-style-type: none"> 1. Set 2Tone -> RX Code -> EXO to OFF. 2. Set the Set mode -> Horn to ON. 3. Set Common -> EXO to ON. 4. The Common -> EXO Delay Timer sets how long Pin 6 stays low after receiving the signal. 5. Disable 2Tone in Memory CH.



ICOM

©2007 Icom America Inc.

Icom America, Inc.

2380 116th Ave NE

Bellevue, WA 98004

425.540.6087



[iCOM OPC-617 External Terminal Connection Cable](#) [pdf] Instructions

OPC-617, OPC-617 External Terminal Connection Cable, External Terminal Connection Cable, Terminal Connection Cable, Connection Cable, Cable